



ARISTAIPC

ARP-2200AP Series

Datasheet Collection

www.aristaipc.com

Contents

Industrial Panel PCs

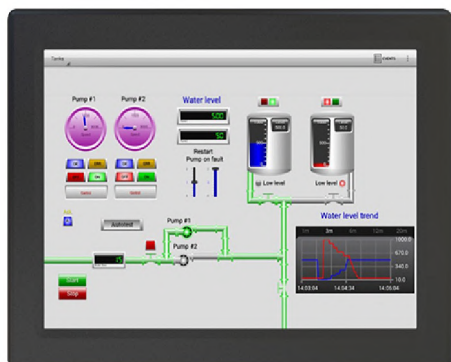
Hazardous Locations Panel PCs

ARP-2215AP-G01	03
ARP-2217AP-G01	05
ARP-2219AP-G01	07
ARP-2221AP-G01	09



ARP-2215AP-G01

Panel Mount Panel PC with 15-inch 5-Wire Resistive Touch for Use in Class I, Division 2 Hazardous Locations



Features

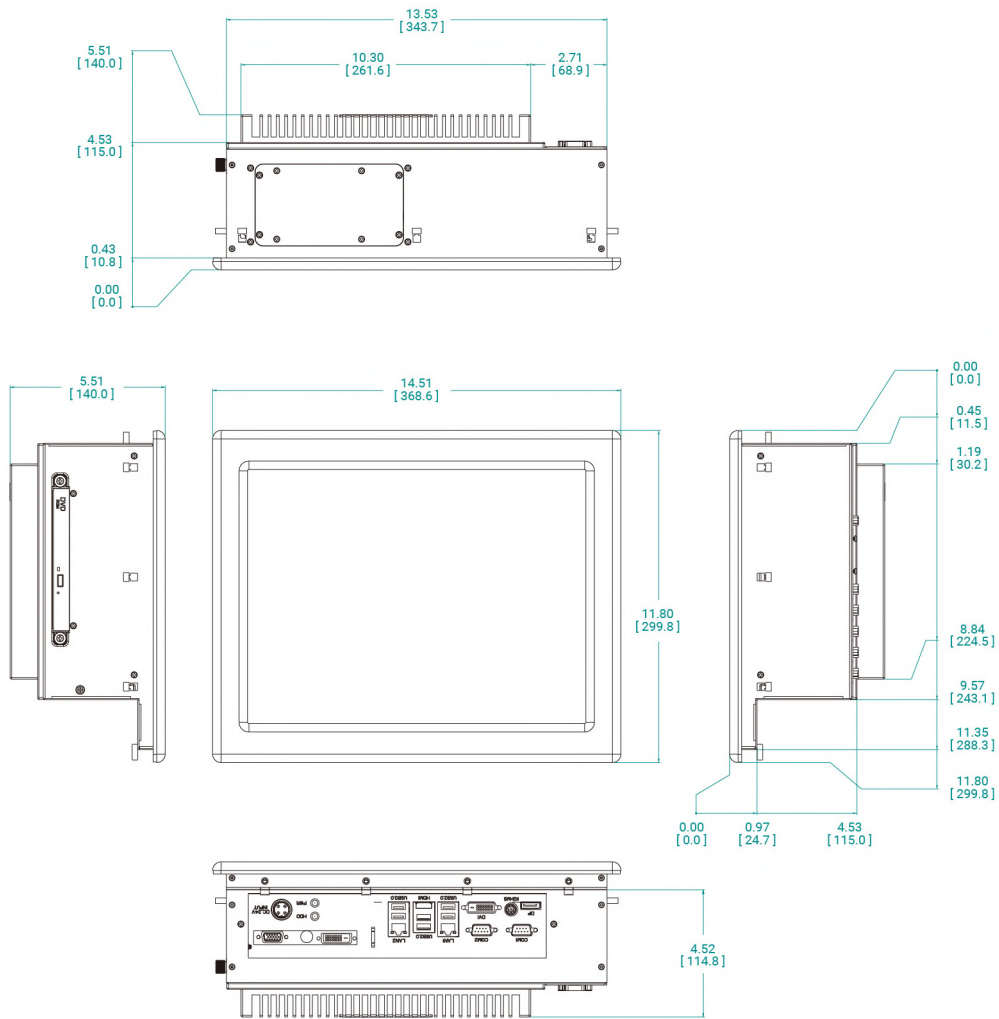
- 15" LCD, 1024 x 768 Resolution
- 5-Wire Resistive Touch
- Aluminum or Stainless-Steel Bezel
- Intel i7-3612QM CPU
- Up to 16GB DDR3 SO-DIMM
- Optional 2.5" SSD
- Dual Gigabit Ethernet
- 2 x RS-232/422/485 BIOS Selectable
- 2 x USB 3.0, 4 x USB 2.0 ports
- 24VDC Operating Voltage
- for Use in Class I, Division 2 Hazardous Locations

Specifications

Model Name	ARP-2215AP-G01
LCD Display	
Display Size (Diagonal)	15.0 inch
Resolution	1024 x 768
Backlight Lifetime (Hours)	50,000
Visual Characteristics	
Colors	16.7 million
Aspect Ratio	4:3
Viewing Angle (V/H)	140° / 170°
Contrast Ratio	700 : 1
Brightness	300 nits (max)
Touchscreen	
Technology	5 Wire Resistive
Interface	USB
Driver	Windows XP, 7, 10
Front Bezel	
NEMA 4	Black Powder Coated Aluminum
NEMA 4x	Stainless Steel (Optional)
System	
CPU	Intel i7-3612QM
Chipset	Intel QM77
Memory	Up to 16GB DDR3
Video Controller	Intel HD Graphics 4000
External Video Output	DVI / HDMI / Display Port
Storage Option	Optional 2.5" SSD
Compact Flash	N/A
Keyboard / Mouse	1 x PS / 2 connector
Audio	Line in, Line Out, Mic-In
Watchdog Timer	Programmable 1 - 255 sec
Remote Boot	ThinManager Ready, PXE
Expansion Slot	1 x PCIe x16
I/O Communication	
USB Port	4 x USB 2.0, 2 x USB 3.0
Serial Port	2 x RS-232/422/485
IEEE 1394	N/A
LAN	Dual Gigabit LAN
Parallel	N/A
GPIO	N/A
Smart Battery	
External Smart Battery	N/A
OS Support	
OS Support	Windows XP, 7, 10
Power/Thermal Specs	
Power Requirement (Max)	24VDC / 2.60A
Power Consumption (Max)	62 W
Recommended Power Supply	90W
Heat Dissipation	211 BTU/hr
Physical Information	
Mounting	Panel Mount
Net Weight	19 Lbs / 8 Kg
Dimension (W x H x D)	14.51 x 11.80 x 4.57 inch 368.6 x 299.8 x 116.2 mm
Recommended Cutout Dimension (WxH)	13.75 x 11.10 inch 349.3 x 281.9 mm
Environmental	
Operating Temperature	0~50°C (32~122°F)
Storage Temperature	-20~60°C (-4~140°F)
Relative Humidity	0~95%
IP/NEMA Rating	Bezel meets NEMA 4/4X requirements
Certification	North America Class 1 Division 2

Dimension Drawing

Model Name: ARP-2215AP-G01
 Size Unit: inch(mm)



Ordering Information

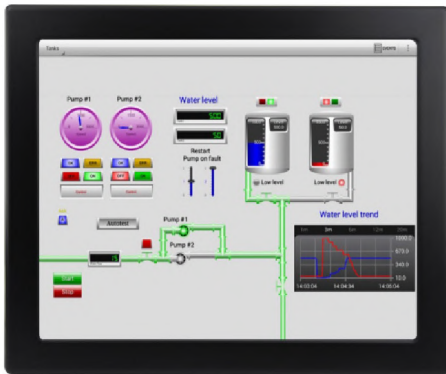
Item	ARP-2215AP-G01-002-C1D2	ARP-2215AP-G01-006-C1D2
LCD Display	15.0" LCD / 1024 x 768	15.0" LCD / 1024 x 768
Touch Screen	5-Wire	5-Wire
Bezel	Black Powder Coated Aluminum	Stainless Steel
CPU	Intel i7-3612QM	Intel i7-3612QM
Memory	4GB DDR3	4GB DDR3
Storage	N/A	N/A
Remote Boot	ThinManager Ready	ThinManager Ready
Power Supply	24VDC INPUT	24VDC INPUT

Item	ARP-2215AP-G01-090-C1D2	ARP-2215AP-G01-094-C1D2
LCD Display	15.0" LCD / 1024 x 768	15.0" LCD / 1024 x 768
Touch Screen	5-Wire	5-Wire
Bezel	Black Powder Coated Aluminum	Stainless Steel
CPU	Intel i7-3612QM	Intel i7-3612QM
Memory	16GB DDR3	16GB DDR3
Storage	512GB 2.5" SATA SSD	512GB 2.5" SATA SSD
Remote Boot	N/A	N/A
Power Supply	24VDC INPUT	24VDC INPUT



ARP-2217AP-G01

Panel Mount Panel PC with 17-inch 5-Wire Resistive Touch for Use in Class I, Division 2 Hazardous Locations



Features

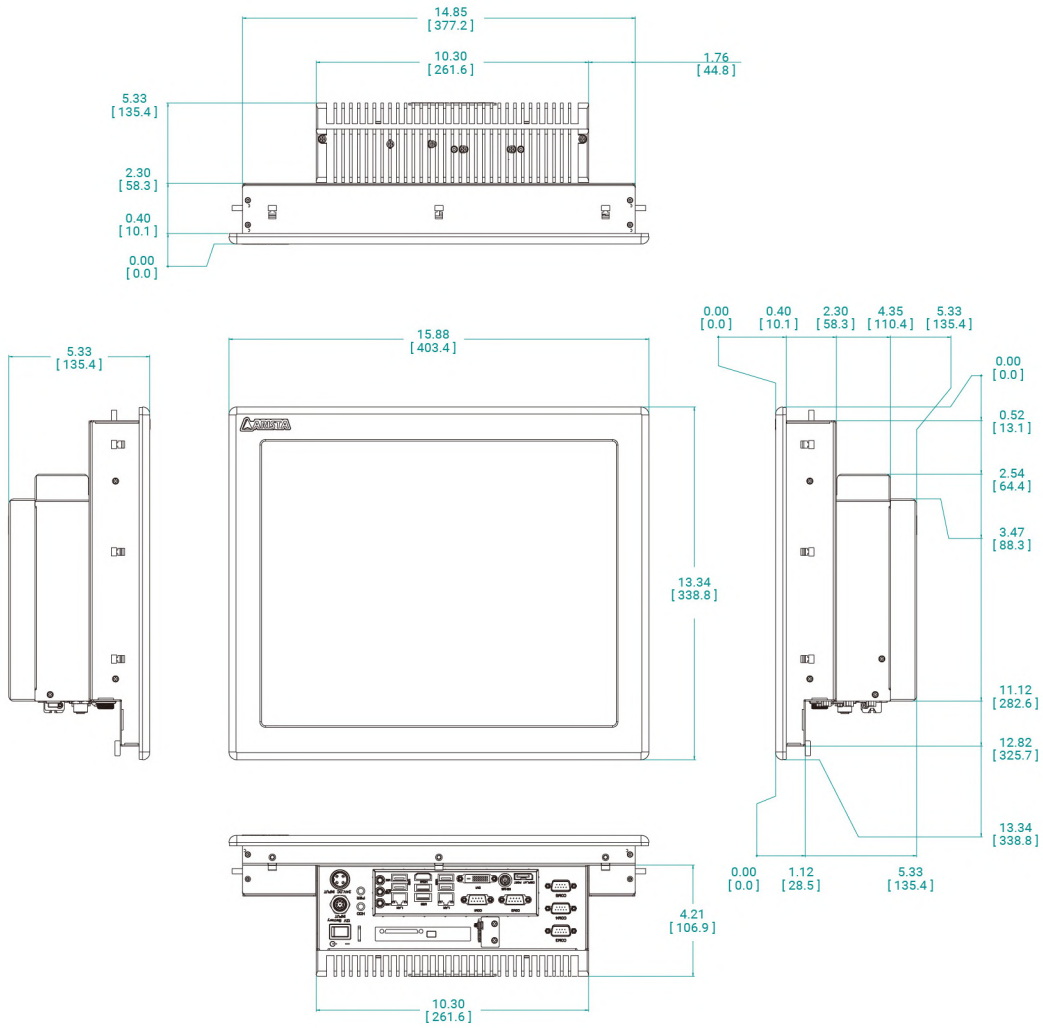
- 17" LCD, 1280 x 1024 Resolution
- 5-Wire Resistive Touch
- Aluminum or Stainless-Steel Bezel
- Intel i7-3612QM CPU
- Up to 16GB DDR3 SO-DIMM
- Optional 2.5" SSD
- Dual Gigabit Ethernet
- 2 x RS-232/422/485 BIOS Selectable
- 2 x USB 3.0, 4 x USB 2.0 ports
- 24VDC Operating Voltage
- for Use in Class I, Division 2 Hazardous Locations

Specifications

Model Name	ARP-2217AP-G01
LCD Display	
Display Size (Diagonal)	17.0 inch
Max Resolution	1280 x 1024
Backlight Lifetime (Hours)	50,000 hours
Visual Characteristics	
Colors	16.7 million
Aspect Ratio	5:4
Viewing Angle (V/H)	160° / 140°
Contrast Ratio	800 : 1
Brightness	350 nits
Touchscreen	
Technology	5 Wire Resistive
Interface	USB
Driver	Windows XP, 7, 10
Front Bezel	
NEMA 4	Black Powder Coated Aluminum
NEMA 4x	Stainless Steel (Optional)
System	
CPU	Intel i7-3612QM
Chipset	Intel QM77
Memory	Up to 16GB DDR3
Video Controller	Intel HD Graphics 4000
External Video Output	DVI / HDMI / Display Port
Storage Option	Optional 2.5" SSD
Compact Flash	N/A
Keyboard / Mouse	1 x PS / 2 connector
Audio	Line in, Line Out, Mic-In
Watchdog Timer	Programmable 1 - 255 sec
Remote Boot	ThinManager Ready, PXE
Expansion Slot	1 x PCIe x16
I/O Communication	
USB Port	4 x USB 2.0, 2 x USB 3.0
Serial Port	2 x RS-232/422/485
IEEE 1394	N/A
LAN	Dual Gigabit LAN
Parallel	N/A
GPIO	N/A
Smart Battery	
External Smart Battery	N/A
OS Support	
OS Support	Windows XP, 7, 10
Power/Thermal Specs	
Power Requirement (Max)	24VDC / 3.00A
Power Consumption (Max)	72 W
Recommended Power Supply	120W
Heat Dissipation	250 BTU/hr
Physical Information	
Mounting	Panel Mount
Net Weight	21 Lbs / 9 Kg
Dimension (W x H x D)	15.88 x 13.34 x 4.81 inch 403.4 x 338.8 x 122.2 mm
Recommended Cutout Dimension (WxH)	15.07 x 12.51 inch 382.8 x 317.8 mm
Environmental	
Operating Temperature	0~50°C (32~122°F)
Storage Temperature	-20~60°C (-4~140°F)
Relative Humidity	0~95%
IP/NEMA Rating	Meets NEMA 4X
Certification	North America Class 1 Division 2

Dimension Drawing

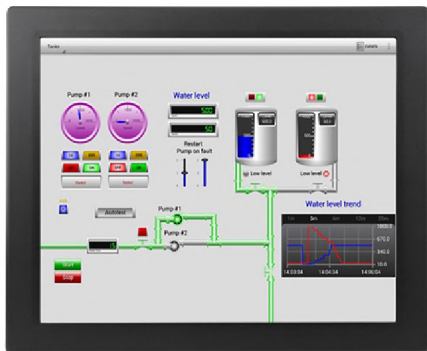
Model Name: ARP-2217AP-G01
 Size Unit: inch(mm)



Ordering Information

Item	ARP-2217AP-G01-002-C1D2	ARP-2217AP-G01-006-C1D2
LCD Display	17.0" LCD / 1280 x 1024	17.0" LCD / 1280 x 1024
Touch Screen	5-Wire	5-Wire
Bezel	Black Powder Coated Aluminum	Stainless Steel
CPU	Intel i7-3612QM	Intel i7-3612QM
Memory	4GB DDR3	4GB DDR3
Storage	N/A	N/A
Remote Boot	ThinManager Ready	ThinManager Ready
Power Supply	24VDC INPUT	24VDC INPUT

Item	ARP-2217AP-G01-090-C1D2	ARP-2217AP-G01-094-C1D2
LCD Display	17.0" LCD / 1280 x 1024	17.0" LCD / 1280 x 1024
Touch Screen	5-Wire	5-Wire
Bezel	Black Powder Coated Aluminum	Stainless Steel
CPU	Intel i7-3612QM	Intel i7-3612QM
Memory	16GB DDR3	16GB DDR3
Storage	512GB 2.5" SATA SSD	512GB 2.5" SATA SSD
Remote Boot	N/A	N/A
Power Supply	24VDC INPUT	24VDC INPUT



ARP-2219AP-G01

Panel Mount Panel PC with 19-inch 5-Wire Resistive Touch for Use in Class I, Division 2 Hazardous Locations

Features

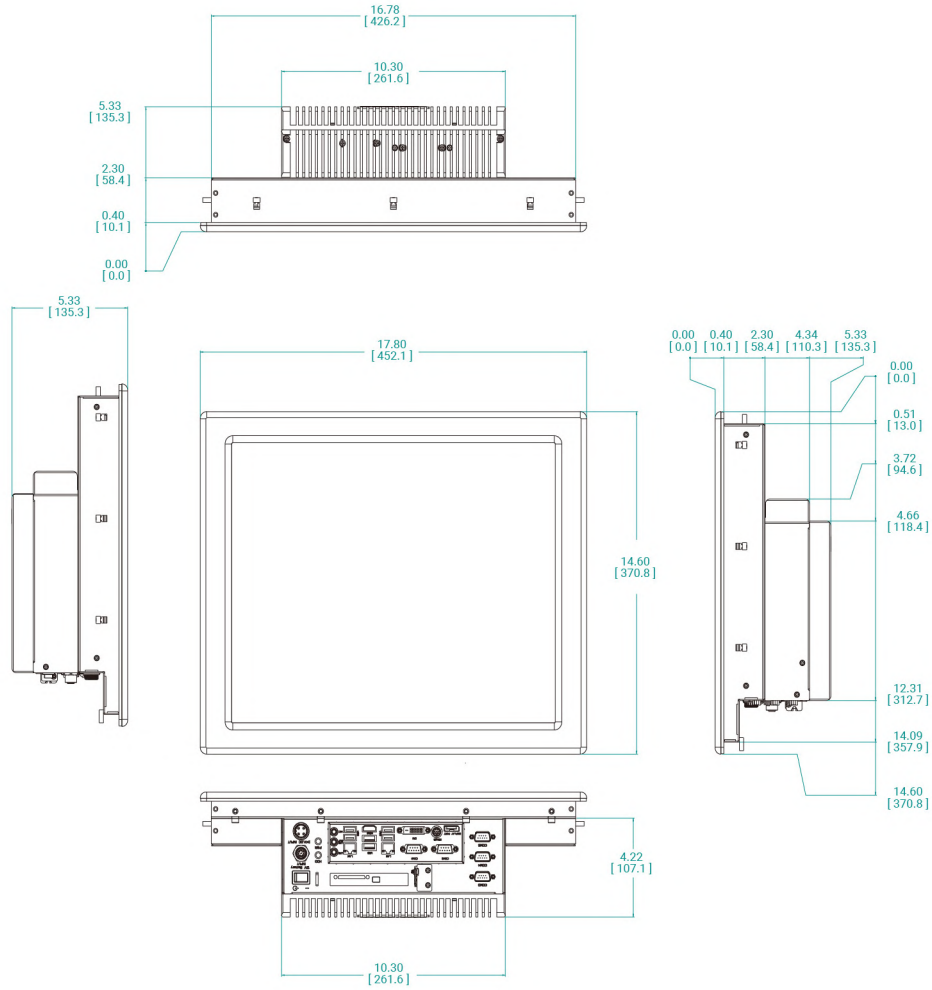
- 19" LCD, 1280 x 1024 Resolution
- 5-Wire Resistive Touch
- Aluminum or Stainless-Steel Bezel
- Intel i7-3612QM CPU
- Up to 16GB DDR3 SO-DIMM
- Optional 2.5" SSD
- Dual Gigabit Ethernet
- 2 x RS-232/422/485 BIOS Selectable
- 2 x USB 3.0, 4 x USB 2.0 ports
- 24VDC Operating Voltage
- for Use in Class I, Division 2 Hazardous Locations

Specifications

Model Name	ARP-2219AP-G01
LCD Display	
Display Size (Diagonal)	19.0 inch
Max Resolution	1280 x 1024
Backlight Lifetime (Hours)	50,000 hours
Visual Characteristics	
Colors	16.7 million
Aspect Ratio	5:4
Viewing Angle (V/H)	160° / 170°
Response time (Typical)	30 ms
Contrast Ratio	1000 : 1
Brightness	450 nits
Touchscreen	
Technology	5 Wire Resistive
Interface	USB
Driver	Windows XP, 7, 10
Front Bezel	
NEMA 4	Black Powder Coated Aluminum
NEMA 4x	Stainless Steel (Optional)
System	
CPU	Intel i7-3612QM
Chipset	Intel QM77
Memory	Up to 16GB DDR3
Video Controller	Intel HD Graphics 4000
External Video Output	DVI / HDMI / Display Port
Storage Option	Optional 2.5" SSD
Compact Flash	N/A
Keyboard / Mouse	1 x PS / 2 connector
Audio	Line in, Line Out, Mic-In
Watchdog Timer	Programmable 1 - 255 sec
Remote Boot	ThinManager Ready, PXE
Expansion Slot	1 x PCIe x16
I/O Communication	
USB Port	4 x USB 2.0, 2 x USB 3.0
Serial Port	2 x RS-232/422/485
IEEE 1394	N/A
LAN	Dual Gigabit LAN
Parallel	N/A
GPIO	N/A
Smart Battery	
External Smart Battery	N/A
OS Support	
OS Support	Windows XP, 7, 10
Power/Thermal Specs	
Power Requirement (Max)	24VDC / 3.00A
Power Consumption (Max)	72 W
Recommended Power Supply	120W
Heat Dissipation	250 BTU/hr
Physical Information	
Mounting	Panel Mount
Net Weight	25 Lbs / 11 Kg
Dimension (W x H x D)	17.80 x 14.60 x 5.71 inch 452.1 x 370.8 x 145.0 mm
Recommended Cutout Dimension (WxH)	17.00 x 13.78 inch 431.8 x 350.0 mm
Environmental	
Operating Temperature	0~50°C (32~122°F)
Storage Temperature	-20~60°C (-4~140°F)
Relative Humidity	0~95%
IP/NEMA Rating	Meets NEMA 4X
Certification	North America Class 1 Division 2

Dimension Drawing

Model Name: ARP-2219AP-G01
 Size Unit: inch(mm)



Ordering Information

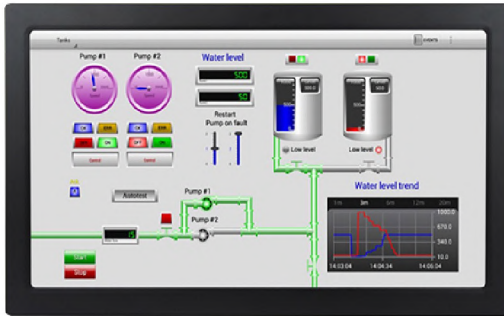
Item	ARP-2219AP-G01-002-C1D2	ARP-2219AP-G01-006-C1D2
LCD Display	19.0" LCD / 1280 x 1024	19.0" LCD / 1280 x 1024
Touch Screen	5-Wire	5-Wire
Bezel	Black Powder Coated Aluminum	Stainless Steel
CPU	Intel i7-3612QM	Intel i7-3612QM
Memory	4GB DDR3	4GB DDR3
Storage	N/A	N/A
Remote Boot	ThinManager Ready	ThinManager Ready
Power Supply	24VDC INPUT	24VDC INPUT

Item	ARP-2219AP-G01-090-C1D2	ARP-2219AP-G01-094-C1D2
LCD Display	19.0" LCD / 1280 x 1024	19.0" LCD / 1280 x 1024
Touch Screen	5-Wire	5-Wire
Bezel	Black Powder Coated Aluminum	Stainless Steel
CPU	Intel i7-3612QM	Intel i7-3612QM
Memory	16GB DDR3	16GB DDR3
Storage	512GB 2.5" SATA SSD	512GB 2.5" SATA SSD
Remote Boot	N/A	N/A
Power Supply	24VDC INPUT	24VDC INPUT



ARP-2221AP-G01

Panel Mount Panel PC with 21.5-inch 5-Wire Resistive Touch for Use in Class I, Division 2 Hazardous Locations



Features

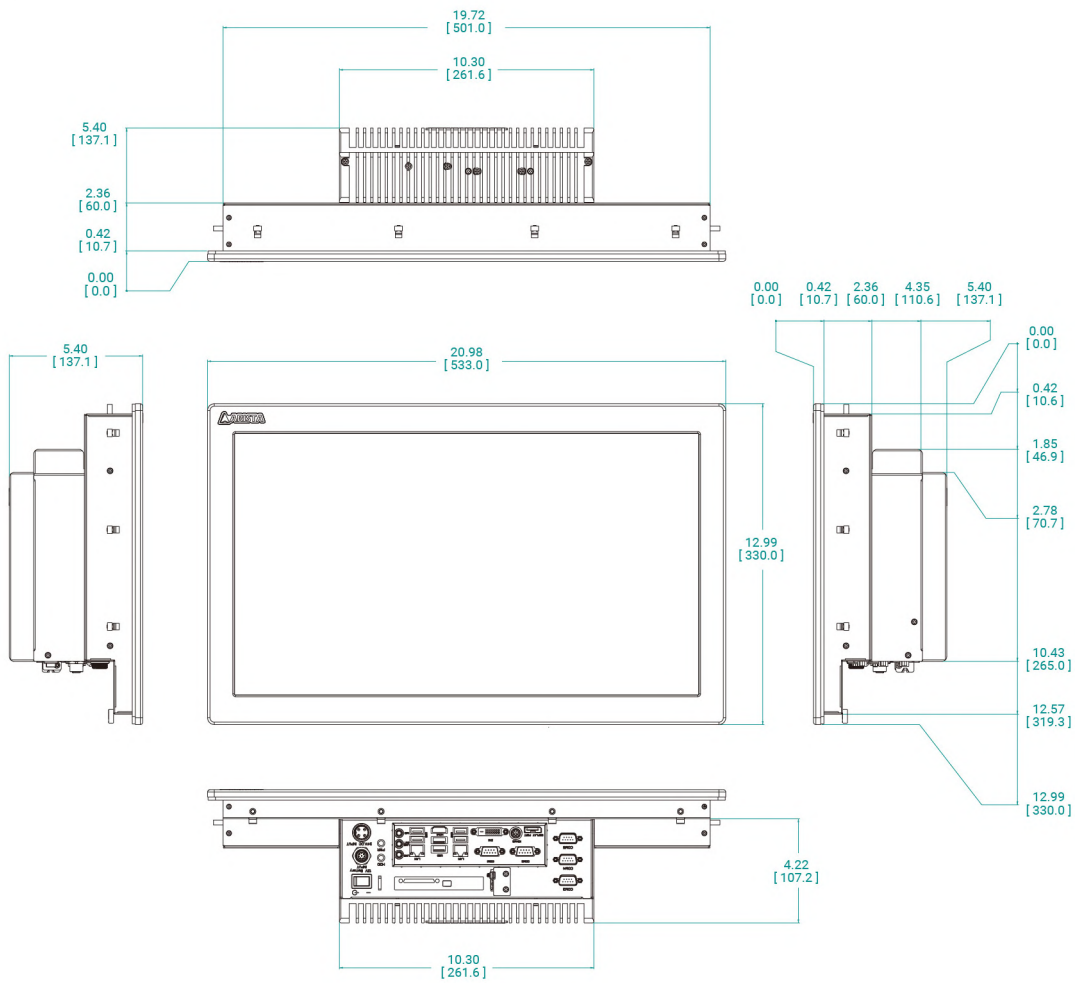
- 21.5" LCD, 1920 x 1080 Resolution
- 5-Wire Resistive Touch
- Aluminum or Stainless-Steel Bezel
- Intel i7-3612QM CPU
- Up to 16GB DDR3 SO-DIMM
- Optional 2.5" SSD
- Dual Gigabit Ethernet
- 2 x RS-232/422/485 BIOS Selectable
- 2 x USB 3.0, 4 x USB 2.0 ports
- 24VDC Operating Voltage
- for Use in Class I, Division 2 Hazardous Locations

Specifications

Model Name	ARP-2221AP-G01
LCD Display	
Display Size (Diagonal)	21.5 inch
Max Resolution	1920 x 1080
Backlight Lifetime (Hours)	50,000 hours
Visual Characteristics	
Colors	16.7 million
Aspect Ratio	16:9
Viewing Angle (V/H)	178° / 178°
Contrast Ratio	1000 : 1
Brightness	250 nits
Touchscreen	
Technology	Projected Capacitive
Interface	USB
Driver	Windows XP, 7, 10
Front Bezel	
NEMA 4	Black Powder Coated Aluminum
NEMA 4x	Stainless Steel (Optional)
System	
CPU	Intel i7-3612QM
Chipset	Intel QM77
Memory	Up to 16GB DDR3
Video Controller	Intel HD Graphics 4000
External Video Output	DVI / HDMI / Display Port
Storage Option	Optional 2.5" SSD
Compact Flash	N/A
Keyboard / Mouse	1 x PS / 2 connector
Audio	Line in, Line Out, Mic-In
Watchdog Timer	Programmable 1 - 255 sec
Remote Boot	ThinManager Ready, PXE
Expansion Slot	1 x PCIe x16
I/O Communication	
USB Port	4 x USB 2.0, 2 x USB 3.0
Serial Port	2 x RS-232/422/485
IEEE 1394	N/A
LAN	Dual Gigabit LAN
Parallel	N/A
GPIO	N/A
Smart Battery	
External Smart Battery	N/A
OS Support	
OS Support	Windows XP, 7, 10
Power/Thermal Specs	
Power Requirement (Max)	24VDC / 3.00A
Power Consumption (Max)	72 W
Recommended Power Supply	120W
Heat Dissipation	250 BTU/hr
Physical Information	
Mounting	Panel Mount
Net Weight	28 Lbs / 12.7 Kg
Dimension (W x H x D)	20.98 x 12.99 x 5.78 inch 533.0 x 330.0 x 146.7 mm
Recommended Cutout Dimension (WxH)	19.92 x 12.35 inch 506.0 x 313.7 mm
Environmental	
Operating Temperature	0~50°C (32~122°F)
Storage Temperature	-20~60°C (-4~140°F)
Relative Humidity	0~95%
IP/NEMA Rating	Meets NEMA 4X
Certification	North America Class 1 Division 2

Dimension Drawing

Model Name: ARP-2221AP-G01
 Size Unit: inch(mm)



Ordering Information


Item	ARP-2221AP-G01-002-C1D2	ARP-2221AP-G01-006-C1D2
LCD Display	21.5" LCD / 1920 x 1080	21.5" LCD / 1920 x 1080
Touch Screen	5-Wire	5-Wire
Bezel	Black Powder Coated Aluminum	Stainless Steel
CPU	Intel i7-3612QM	Intel i7-3612QM
Memory	4GB DDR3	4GB DDR3
Storage	N/A	N/A
Remote Boot	ThinManager Ready	ThinManager Ready
Power Supply	24VDC INPUT	24VDC INPUT

Item	ARP-2221AP-G01-090-C1D2	ARP-2221AP-G01-094-C1D2
LCD Display	21.5" LCD / 1920 x 1080	21.5" LCD / 1920 x 1080
Touch Screen	5-Wire	5-Wire
Bezel	Black Powder Coated Aluminum	Stainless Steel
CPU	Intel i7-3612QM	Intel i7-3612QM
Memory	16GB DDR3	16GB DDR3
Storage	512GB 2.5" SATA SSD	512GB 2.5" SATA SSD
Remote Boot	N/A	N/A
Power Supply	24VDC INPUT	24VDC INPUT



ARISTA Corporation (USA)

 40675 Encyclopedia Circle, Fremont, CA 94538.

 Phone : +1-510-226-1800  eFax : 510-405-8437

 sales@goarista.com  www.aristaipc.com